

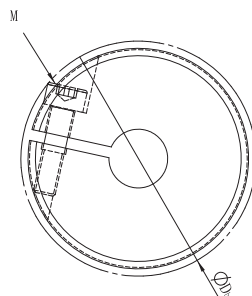
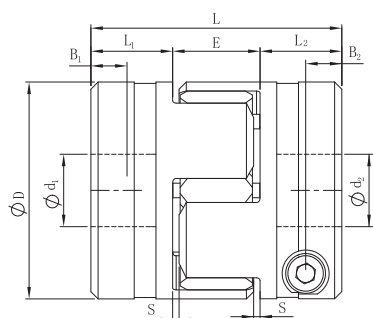
联轴器 Flexible jaw couplings, COU01



产品特性 Product features

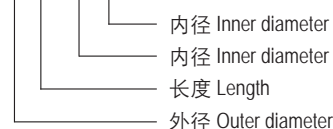
- 联轴器将轴的驱动轴连接到电机，中间弹性聚合物承受电机转动扭矩，该阻尼元件补偿径向和轴向间隙
- 标准品常备库存
- 振动阻尼，易于安装
- The coupling connects the drive shaft of the axis to the Motor, An elastic polymer insert in the centre of the coupling transfers the motor torque, This damping element compensates for radial and axial clearance.
- Standard versions from stock
- Vibration dampening and easy fitting

标准规格 Standard specifications



产品编码 Part No.:

COU01-1418-d1d2



内径 Inner diameter
内径 Inner diameter
长度 Length
外径 Outer diameter

产品编码 Part No.	d ₁ /d ₂ (H7)		D	D ₀	L	L ₁ /L ₂	E	S	B ₁ /B ₂	M (ISO 4762)	扭矩 Tightening torque [Nm]	最高转速 Max. speed [rpm]	重量 Weight [kg]
	Min.	Max.											
COU01-1418-d1d2	3	7	14	16.7	18	7.0	8	1.0	2.5	M2	0.8	20,000	0.006
COU01-2024-d1d2	4	10	20	21.4	24	7.0	10	1.0	3.5	M2.5	1.2	15,000	0.016
COU01-2525-d1d2	4	12	25	26.3	25	7.0	11	1.0	3.5	M3	2.0	15,000	0.027
COU01-3032-d1d2	5	12	30	31.8	32	9.5	13	1.5	4.5	M4	2.9	12,700	0.041
COU01-4050-d1d2	8	20	40	45.8	50	17.0	16	2.0	9.0	M6	10.0	9,500	0.120
COU01-5554-d1d2	10	32	55	57.6	54	18.0	18	2.0	11.0	M6	10.0	6,900	0.240

产品编码 Part No.	标准孔径d ₁ /d ₂ 和最大扭矩值 Standard bore diameter d ₁ /d ₂ [mm] and friction torques for hub [Nm]																										
	3	4	5	6	6.35	7	8	10	11	12	14	15	16	18	19	20	22	24	25	28	30	32	33	38	40	42	45
COU01-1418-d1d2	0.8	0.9	1.0	1.0	1.0	1.1																					
COU01-2024-d1d2		1.9	2.0	2.2	2.2	2.3	2.4	2.5																			
COU01-2525-d1d2			3.4	3.6	3.7	3.7	3.9	4.1	4.4	4.6	4.7																
COU01-3032-d1d2				7.1	7.4	7.4	7.7	8.0	8.5	5.4	5.8																
COU01-4050-d1d2										24	25	26	27	28	29	30	31	32	33								
COU01-5554-d1d2											21	25	25	30	32	34	38	40	42	45	51	53	59	63	68		